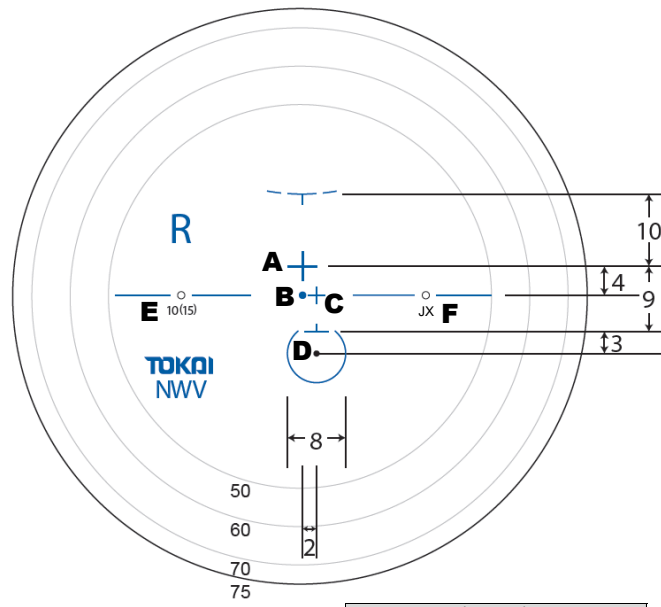
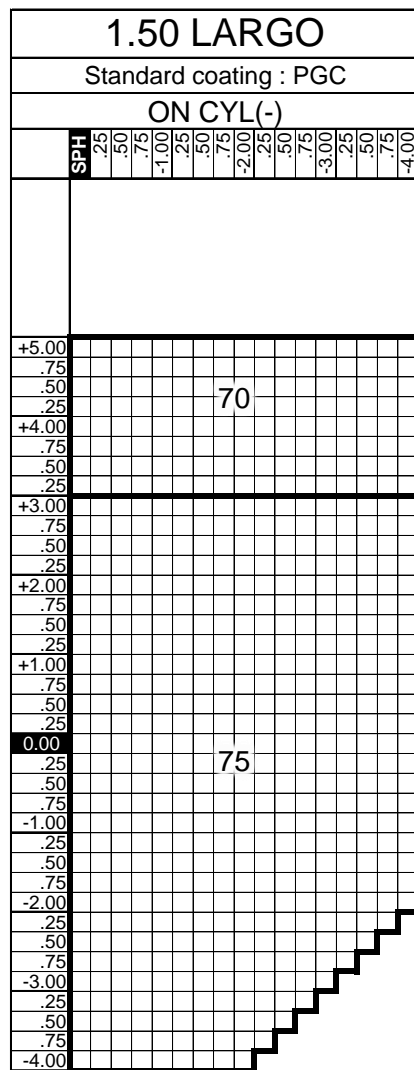
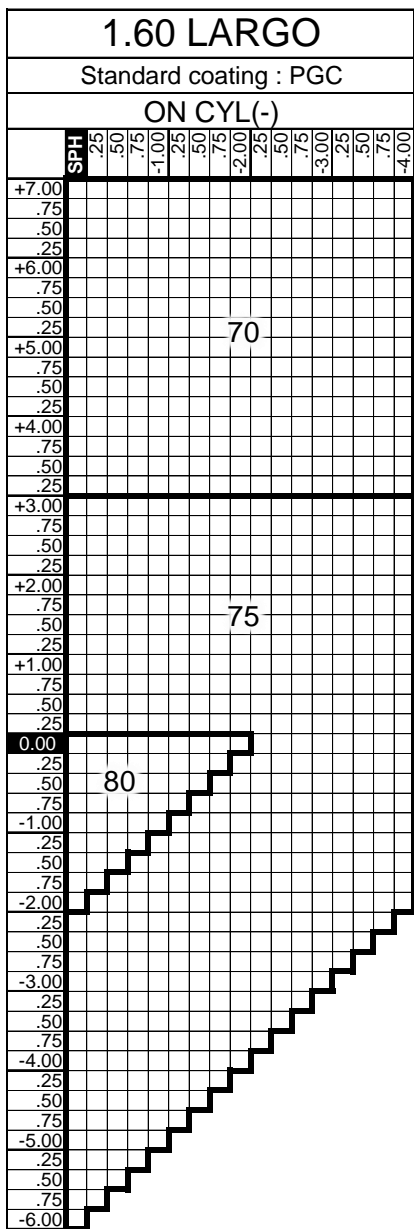
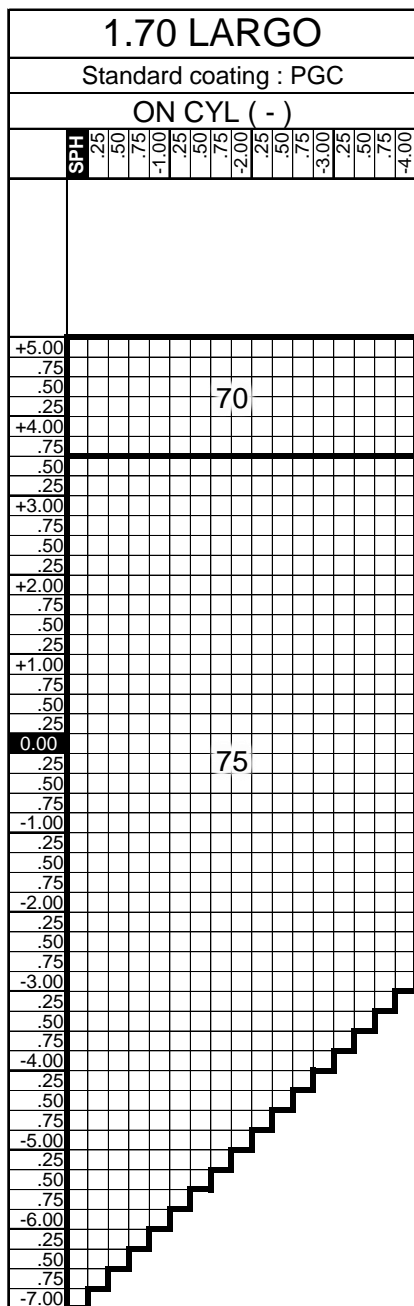


# LARGO

! Near vision power shall be prescribed to other this product.



Specifications		Specifiable range / Availability
Prescription	Size reduction	by 50mm Min : only (+), 1mm step
	Prism	Up to 3 prism
	Decentration	Not available
	Base curve selection	Available
Type	Power digression	Type1 = -1.00D, Type2 = -1.50D
Frame data	Slice (Frame shape required)	Available for plus & mixed power lenses

Index	
JX	1.70
HX	1.60
CX	1.50

Lens mark	
A	Fitting point (far vision eye point)
B	Geometrical center
C	Area to measure the prismatic power
D	Area to measure the near vision power
E	Addition(Minus)
F	Identification and location mark